

PARTS MANUAL

Indoor Unit Models:

FLEXX24HP230V1AH

FLEXX36HP230V1AH

FLEXX48HP230V1AH

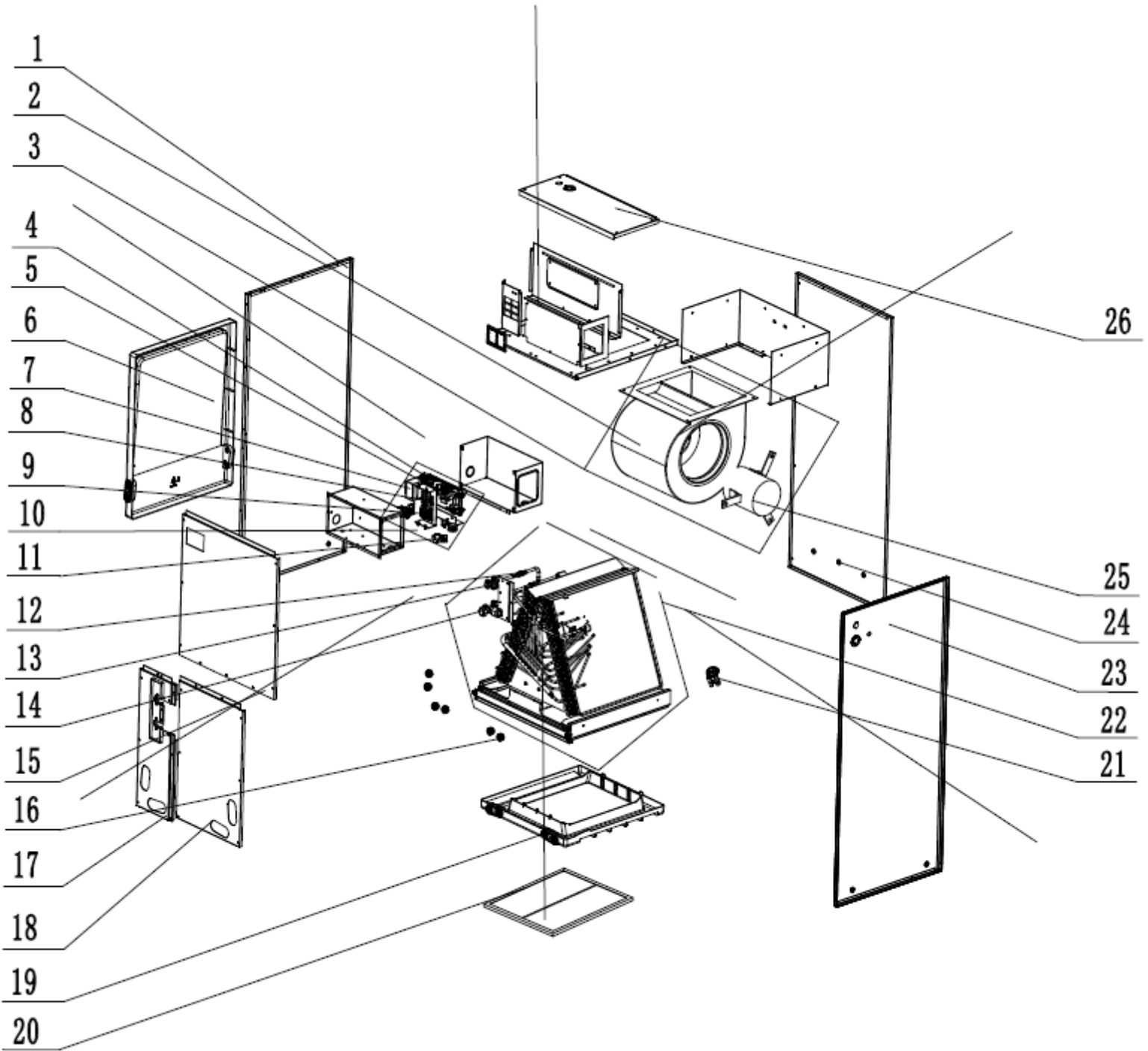
FLEXX60HP230V1AH

Outdoor Unit Models:

FLEXX36HP230V1AO

FLEXX60HP230V1AO

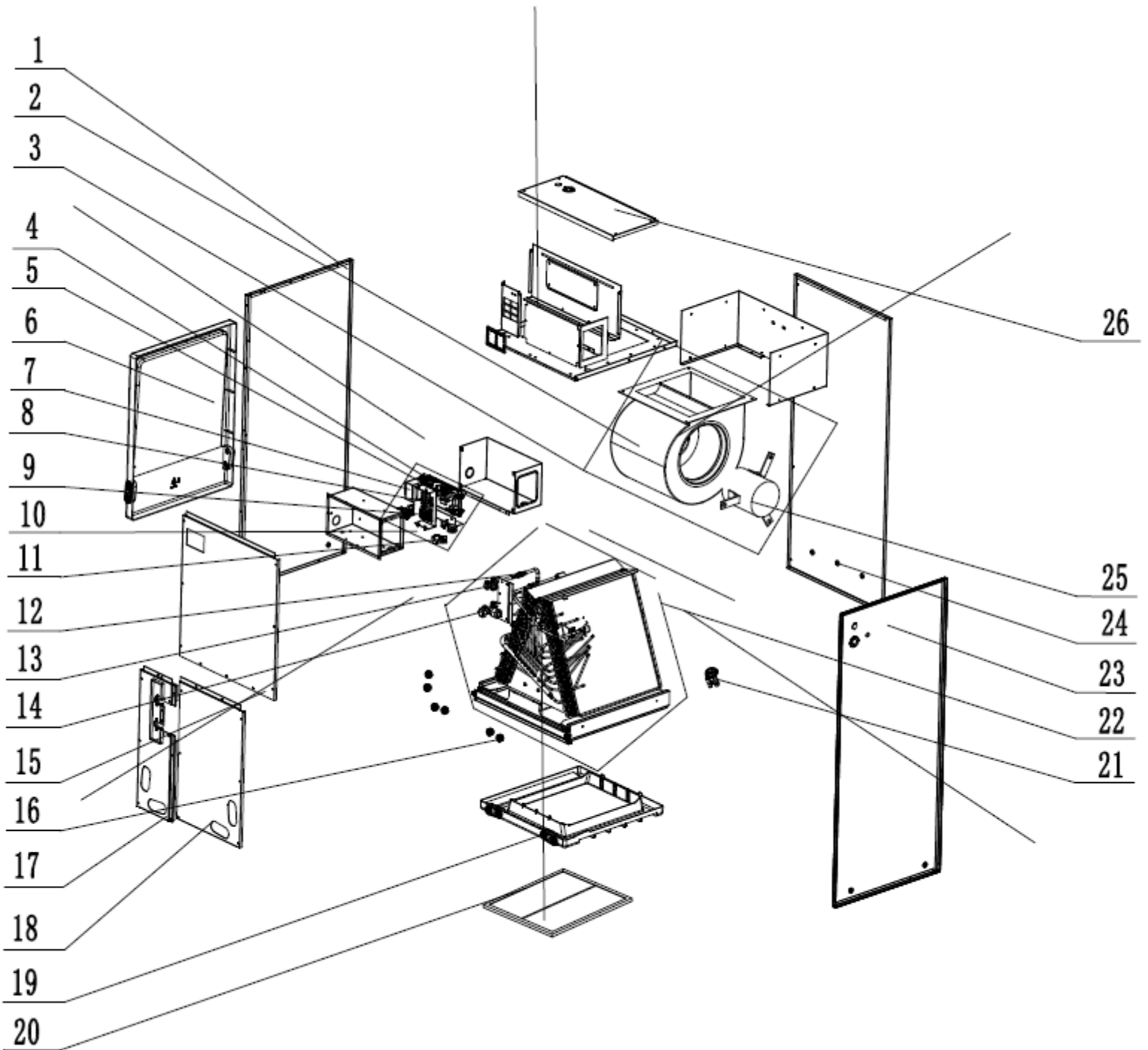
FLEXX24HP230V1AH



FLEXX24HP230V1AH

Item No.	Description	Part Number	Qty.
1	Left Side Plate	01312200016P	1
2	Centrifugal Fan Housing	1570220201	1
3	Centrifugal fan assy	000052000072	1
4	Terminal Board	42011147	1
5	Main Board	30221901	1
6	Water Tray	2690220501	1
7	Transformer	43110286	1
8	Terminal Board	4201025502	1
9	Terminal Board	42000100000102	1
10	Electric Box Assy	100002067711	1
11	Pinboard	300023060013	1
12	Strainer	0721200102	2
13	Cut off Valve	071302391	1
14	Cut off Valve	070001000009	1
15	Top Cover Board Sub-assy	01262200019	1
16	Choke Plug	76718209	1
17	Bottom Cover Plate 1	017010060035P	1
18	Bottom Cover Plate 2	01262200017	1
19	Water Tray	2690220401	1
20	Filter Sub-Assy	111001060160	1
21	Thermal Expansion Valve	071017060022	1
22	Evaporator Assy	011001061041	1
23	Right Side Plate	012056060205P	1
24	Rear Side Plate Sub-Assy	01312200019	1
25	Motor for Centrifugal Fan	150104000014	1
26	Top Cover Sub-Assy	000051060106	1

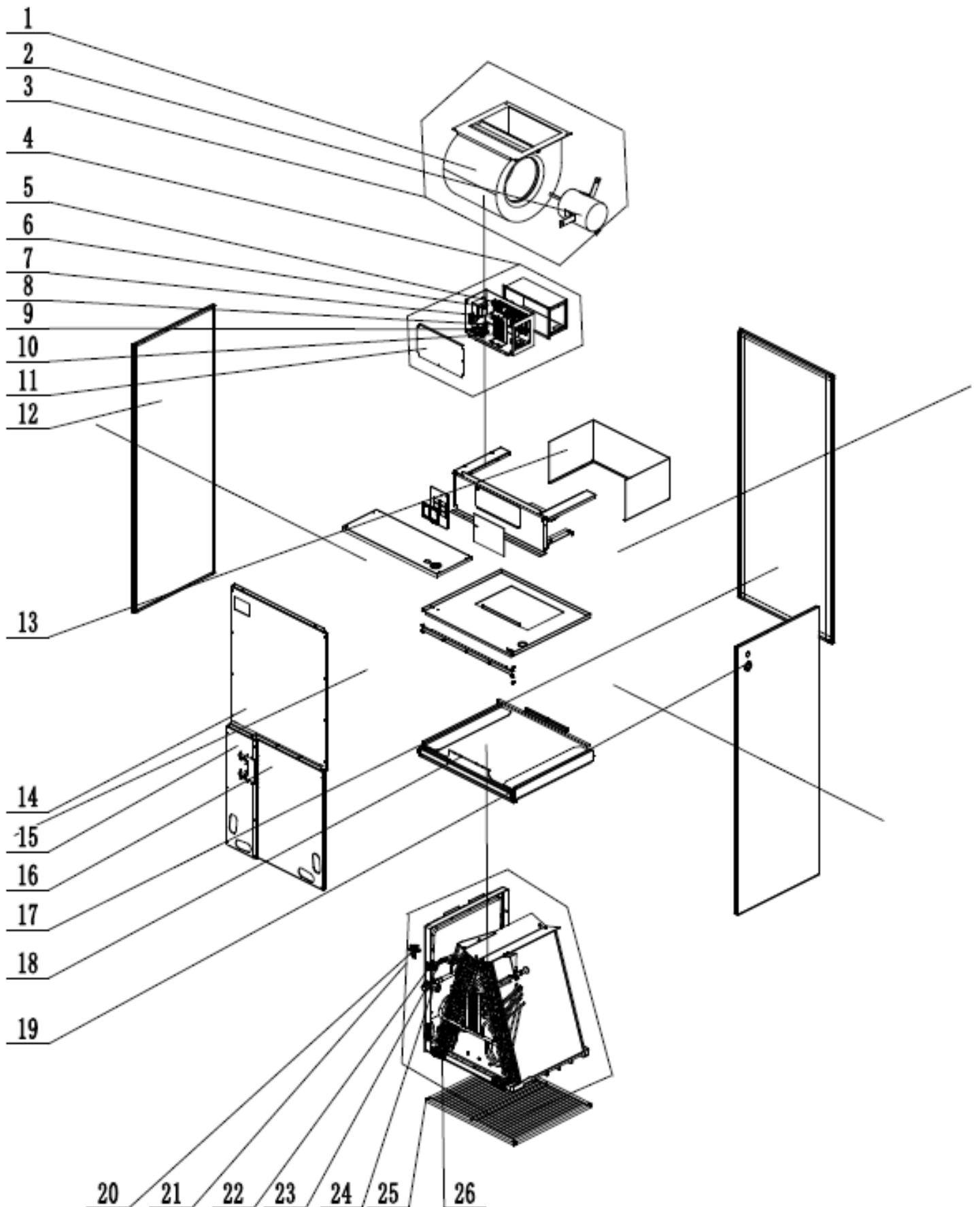
FLEXX36HP230V1AH



FLEXX36HP230V1AH

Item No.	Description	Part Number	Qty.
1	Left Side Plate	01312200016P	1
2	Centrifugal Fan Housing	1570220201	1
3	Centrifugal fan assy	000052000072	1
4	Terminal Board	42011147	1
5	Main Board	30221901	1
6	Water Tray	2690220501	1
7	Transformer	43110286	1
8	Terminal Board	4201025502	1
9	Terminal Board	42000100000102	1
10	Electric Box Assy	100002067711	1
11	Pinboard	300023060013	1
12	Strainer	0721200102	2
13	Cut off Valve	071302391	1
14	Cut off Valve	070001000009	1
15	Top Cover Board Sub-assy	01262200019	1
16	Choke Plug	76718209	1
17	Bottom Cover Plate 1	017010060035P	1
18	Bottom Cover Plate 2	01262200017	1
19	Water Tray	2690220401	1
20	Filter Sub-Assy	111001060160	1
21	Thermal Expansion Valve	071017060022	1
22	Evaporator Assy	011001061041	1
23	Right Side Plate	012056060205P	1
24	Rear Side Plate Sub-Assy	01312200019	1
25	Motor for Centrifugal Fan	150104000014	1
26	Top Cover Sub-Assy	000051060106	1

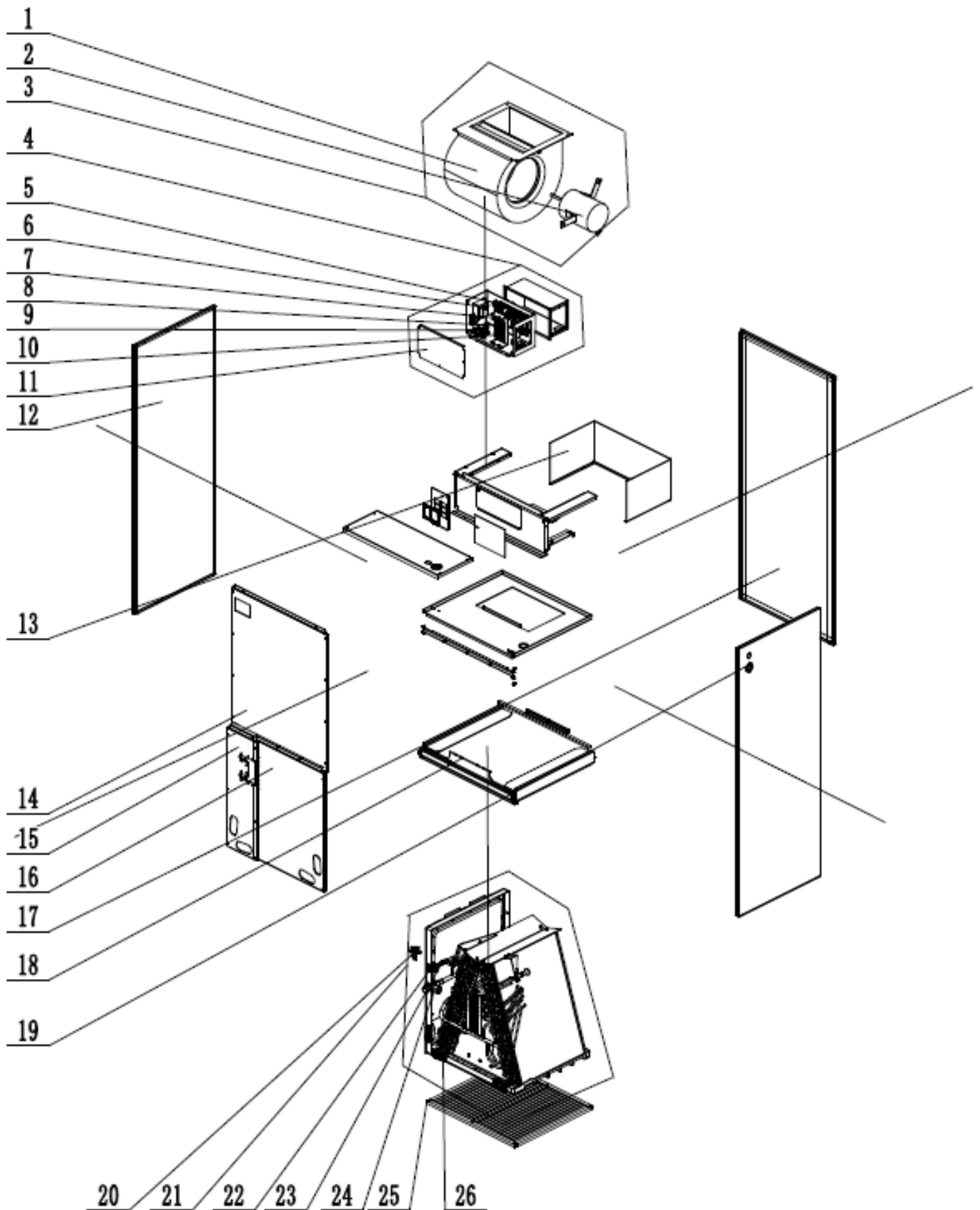
FLEXX48HP230V1AH



FLEXX48HP230V1AH

Item No.	Description	Part Number	Qty.
1	Centrifugal Fan Housing	1570220301	1
2	Motor for Centrifugal Fan	150104000013	1
3	Centrifugal fan assy	000052000073	1
4	Electric Box Assy	100002067711	1
5	Terminal Board	42011147	1
6	Transformer	43110286	1
7	Main Board	30221901	1
8	Terminal Board	4201025502	1
9	Pinboard	300023060013	1
10	Terminal Board	42000100000102	1
11	Electric Box Cover	012020060452	1
12	Left Side Plate Sub-Assy	017037060170	1
13	Air Scroll	012277060111	1
14	Top Cover Board Sub-assy	017011060115	1
15	Bottom Cover Plate 1	017010060042P	1
16	Bottom Cover Plate 2	01262200026	1
17	Rear Side Plate Sub-Assy	017051060118	1
18	Water Tray Assy	000069060313	1
19	Right Side Plate Sub-Assy	000130060099	1
20	Thermal Expansion Valve	071017060028	1
21	Evaporator Assy	011001061315	1
22	Cut off Valve	070001000009	1
23	Strainer	0721200102	3
24	Cut off Valve	071302391	1
25	Filter Sub-Assy	111001060188	1
26	Choke Plug	76718209	1

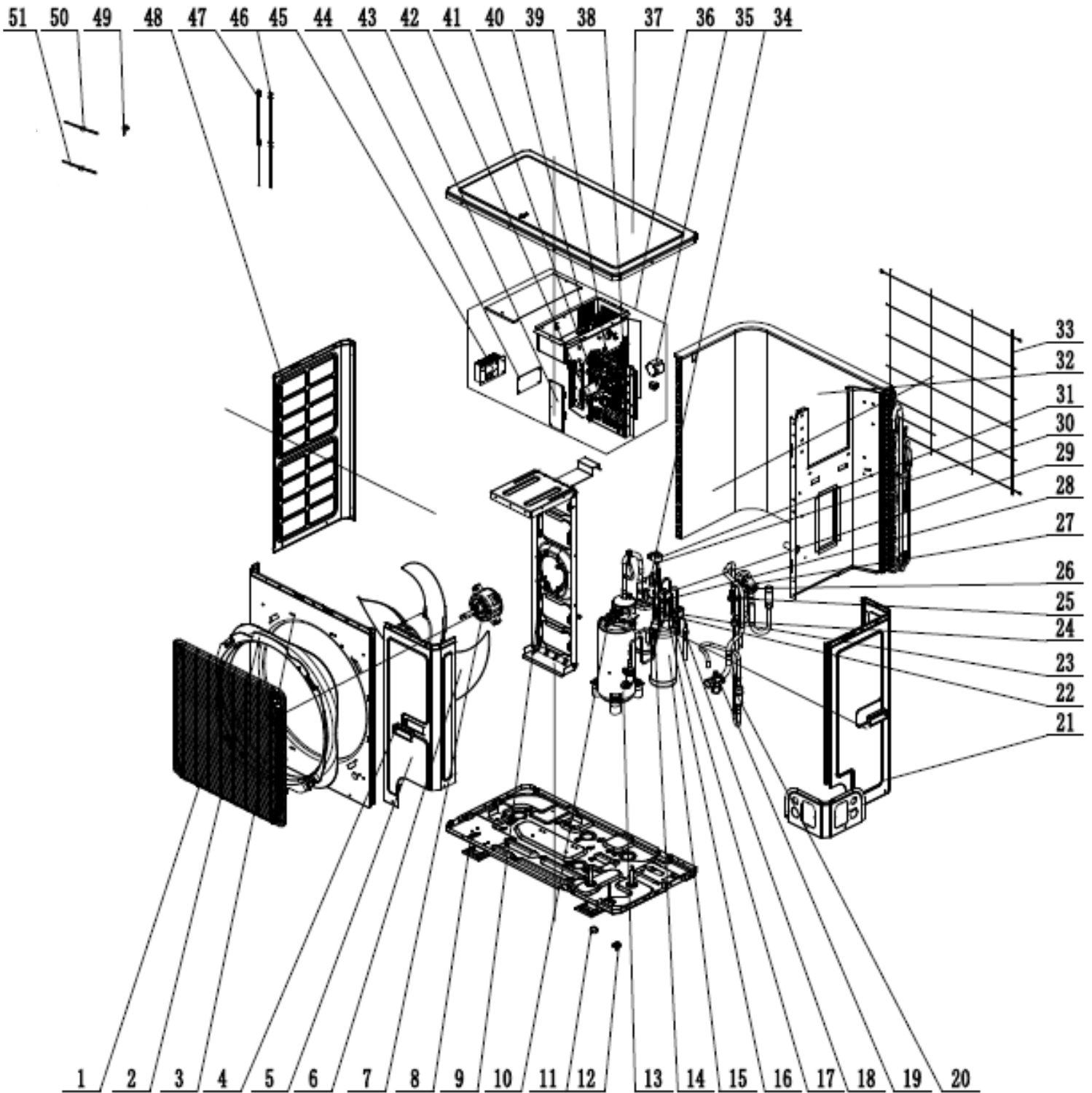
FLEXX60HP230V1AH



FLEXX60HP230V1AH

Item No.	Description	Part Number	Qty.
1	Centrifugal Fan Housing	01312200016P	1
2	Motor for Centrifugal Fan	1570220201	1
3	Centrifugal fan assy	000052000072	1
4	Electric Box Assy	42011147	1
5	Terminal Board	30221901	1
6	Transformer	2690220501	1
7	Main Board	43110286	1
8	Terminal Board	4201025502	1
9	Pinboard	42000100000102	1
10	Terminal Board	100002067711	1
11	Electric Box Cover	300023060013	1
12	Left Side Plate Sub-Assy	0721200102	1
13	Air Scroll	071302391	1
14	Top Cover Board Sub-assy	070001000009	1
15	Bottom Cover Plate 1	01262200019	1
16	Bottom Cover Plate 2	76718209	1
17	Rear Side Plate Sub-Assy	017010060035P	1
18	Water Tray Assy	01262200017	1
19	Right Side Plate Sub-Assy	2690220401	1
20	Thermal Expansion Valve	111001060160	1
21	Evaporator Assy	071017060022	1
22	Cut off Valve	011001061041	1
23	Strainer	012056060205P	3
24	Cut off Valve	01312200019	1
25	Filter Sub-Assy	150104000014	1
26	Choke Plug	000051060106	1

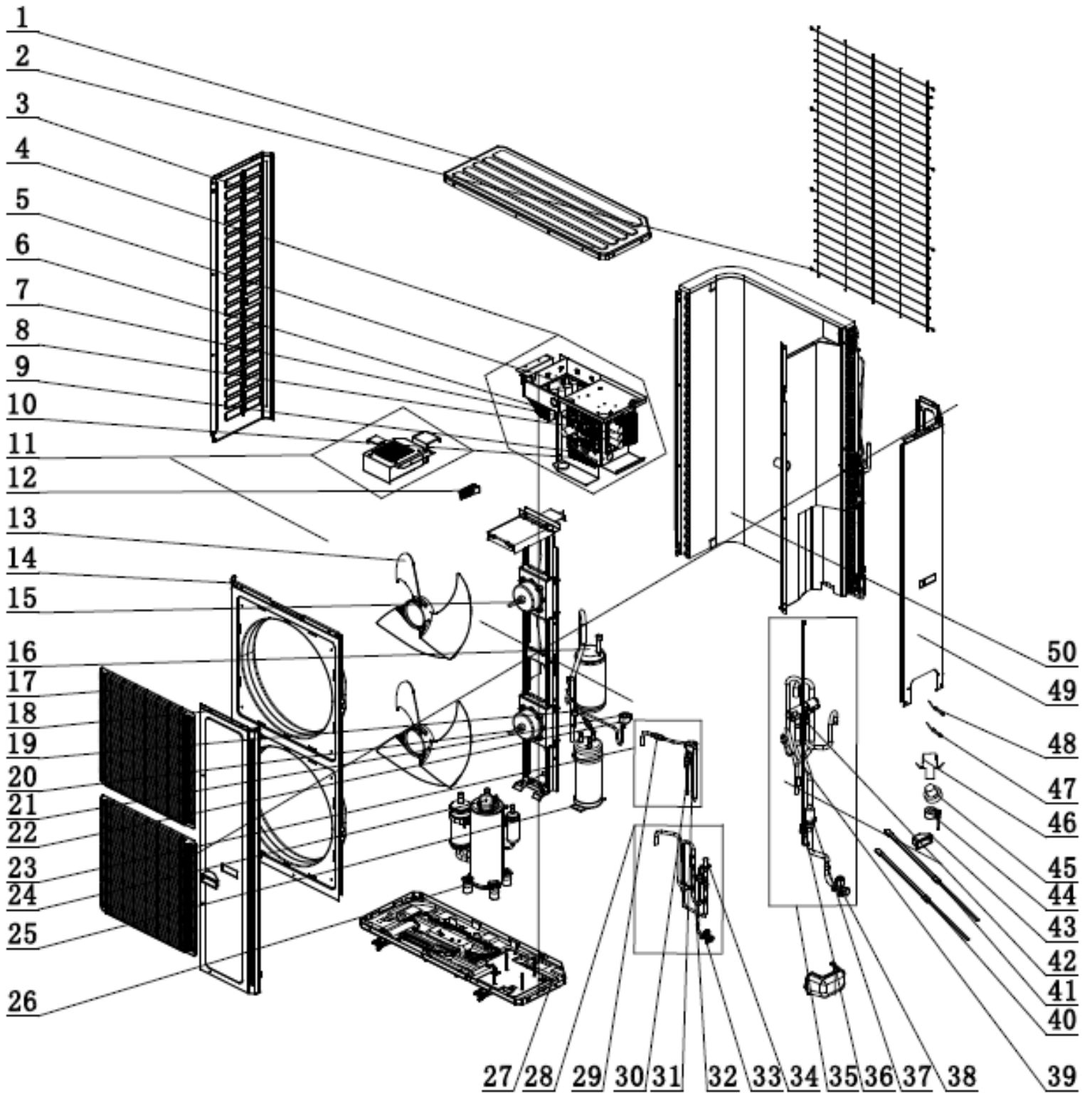
FLEXX36HP230V1A0



FLEXX36HP230V1A0

Item No.	Description	Part Number	Qty.
1	Front Grill	0157280000301	1
2	Diversion Circle	10474100003	1
3	Cabinet	012022000003P03	1
4	Handle	2690410001603	2
5	Front Side Plate	012050000007P03	1
6	Axial Flow Fan	1043410000801	1
7	Brushless DC Motor	150104060013	1
8	Chassis Sub-Assy	01700006008907P	1
9	Motor Support Sub-Assy	01701206003901	1
10	Cut off Valve	071302391	1
11	Drainage hole Cap	76715005	3
12	Drainage Joint	26113009	1
13	Compressor and Fittings	009001060125	1
14	Strainer	0721004501	2
15	Accumulator	035029000003	1
16	Electromagnetic Valve	43003091	1
17	Magnet Coil (electromagnetic valve)	4304000467	1
18	Strainer	0721304401	1
19	Cut off Valve	07330000001	1
20	Silencer	07245012	1
21	Rear Side Plate	012076000021P03	1
22	Electronic Expansion Valve	43005017	1
23	Electric Expand Valve Fitting	4300034404	1
24	Pressure Protect Switch	4602000603	1
25	Pressure Sensor	43004400001501	1
26	4-way Valve	4300008201	1
27	Filter	07224803	1
28	Filter	07216221	2
29	One Way Valve	07133618	1
30	Electronic Expansion Valve	43005017	1
31	Electric Expand Valve Fitting	43000344	1
32	Condenser Assy	01100206019001	1
33	Rear Grill	0157410001402	1
34	Gas-liquid Separator	07223048	1
35	Inductance	43128000014	1
36	Electric Box Assy	100002065509	1
37	Coping	01264100052P03	1
38	Main Board	300027060524	1
39	Main Board	300027060636	1
40	PFC Inductance	43120011	1
41	Terminal Board	4201025502	1
42	Terminal Board	422000000015	1
43	Filter Board	300020060028	1
44	Power Switch	300012060016	1
45	Radiator	430034000048	1
46	Electrical Heater (Chassis)	7651000413	1
47	Electrical Heater(Compressor)	7651521238	1
48	Left Side Plate	012055000007P03	1
49	4 Way Valve Coil	4300040094	1
50	Temperature Sensor	3900007201	1
51	Temperature Sensor	39008000049G	1

FLEXX60HP230V1A0



FLEXX60HP230V1AO

Item No.	Description	Part Number	Qty.
1	Top Cover	01265356P03	1
2	Rear Grill	0157520501	1
3	Left Side Plate	01315366P02	1
4	Electric Box Assy	100002067316	1
5	Drive Board	300078060066	1
6	Radiator	430034000032	1
7	Main Board	300027060636	1
8	Filter board	300020060032	1
9	Terminal Board	422000000015	1
10	Terminal Board	4201025502	1
11	Inductance Box Assy	000221060023	1
12	Handle	2623305301	1
13	Axial Flow Fan	10335008	2
14	Cabinet	01515204P02	1
15	Brushless DC Motor	1570280000410	1
16	Gas-liquid Separator Sub-Assy	0722501801	1
17	Front Grill	01600400000601	2
18	Front Side Plate	01315364P02	1
19	Pressure Protect Switch	46020007	1
20	Fan Motor	1570280000403	1
21	Electromagnetic Valve	43003091	1
22	Electric Expand Valve Fitting	4300034502	1
23	Electric Expansion Valve Sub-Assy	030026060648	1
24	Compressor and Fittings	009001000266	1
25	Accumulator	07424100031	1
26	Foot	01215004	2
27	Chassis Sub-Assy	017080060140P	1
28	Cut off Valve Sub-Assy	030057060280	1
29	Filter	07216221	6
30	Magnet Coil (electromagnetic valve)	4304000488	1
31	Electric Expand Valve Fitting	4300034502	1
32	One Way Valve	07133618	1
33	Cut-off Valve	07130212	1
34	Electronic Expansion Valve	072009060004	2
35	4-Way Valve Assy	030152060548	1
36	Pressure Sensor	43004400001503	1
37	Strainer	07210037	1
38	Cut off Valve	07130209	1
39	Pressure Protect Switch	4602000603	1
40	Electrical Heater	7651000417	1
41	electrical heater	7651521216	1
42	4-way Valve	43000338	1
43	Handle	2623525309	2
44	4 Way Valve Coil	4300040094	1
45	Drainage hole Cap	06813401	3
46	Drainage Connector	06123401	1
47	Temperature Sensor	3900028025G	1
48	Temperature Sensor	3900007201	1
49	Rear Side Plate Sub-Assy	017051060121P	1
50	Condenser Assy	000100060341	1



U.S. CONTACT INFORMATION
TRADEWINDS, LLC

www.greecomfort.com/resources
E-mail: info@tradimate.com
Contractor Support 888-850-7928 | Mon-Fri 8AM-5PM EDT



GREE ELECTRIC APPLIANCES, INC. OF ZHUHAI

Add: West Jinji Rd, Qianshan, Zhuhai, Guangdong, China, 519070
Tel: (+86-756) 8522218
Fax: (+86-756) 8669426
E-mail: gree@gree.com.cn www.gree.com